

Trend conservatory awnings

Solarroll window awnings

Effective textile sun shading



Nova Hüppe GmbH
awnings. nordic. authentic.

////
nova hüppe
////

Trend conservatory awnings – well protected from above and below

Glass extensions continue to enjoy increasing popularity – whether as a conservatory, summer house or glass roof for the terrace.

Nova Hüppe offers a wide range of solutions for effective sun shading and protection from the heat and creates attractive design options with the shading systems in the Trend and Trend SZ ranges.

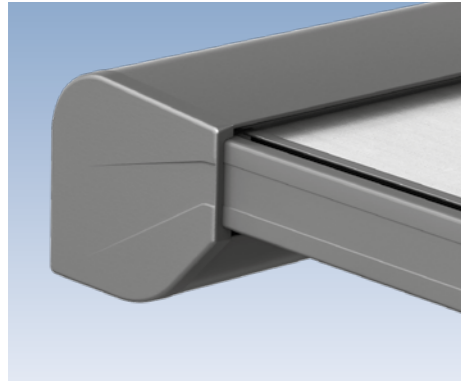
Whether large-scale glass buildings or special shapes: You will find the perfect solution in this sophisticated range for nearly all situations!

Nova Hüppe GmbH
awnings. nordic. authentic.

////
nova hüppe
////

Individual window and façade design with external textile sun shading

Window awnings can be visually integrated into the façade or used as standalone design elements. A wide selection of colours for the fabric and the modern design open up many fascinating possibilities – from the subtle adaptation and the building look to the contrasting design.



Side view Trend 200

Under-roof awnings

Under-roof awnings are available as the Trend 200 or Trend 250 (with or without a side seam-guided curtain).

Maximum dimensions

- Trend 200 6 x 4.5 m
- Trend 250 6 x 5 m
- Trend 250 SZ 6 x 5 m

Conservatory awnings

On-roof or conservatory awnings are available as the Trend 350 or Trend 550 (with or without a side seam-guided curtain).

Maximum dimensions

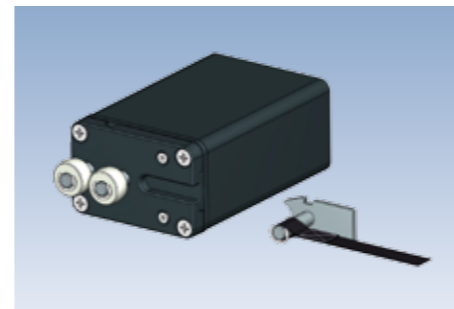
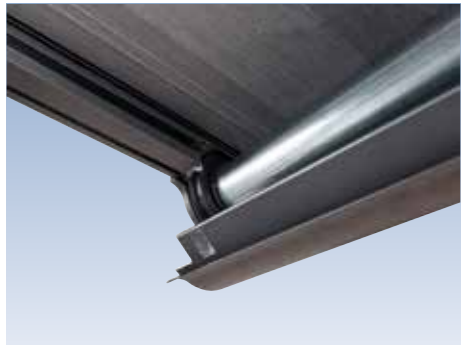
- Trend 350 6 x 5 m
- Trend 350 SZ 6 x 5 m
- Trend 550 6 x 6.5 m | 6.5 x 6 m
- Trend 550 SZ 6 x 5.5 m



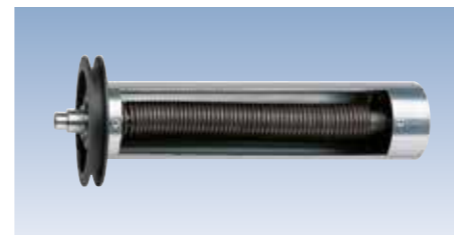
Easily removable roof profile of the Trend 350 | 350 SZ



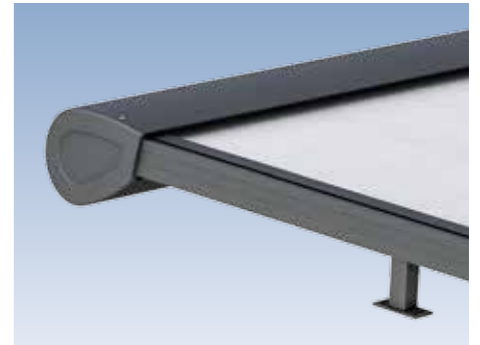
Easily removable base profile of the Trend 250 | 250 SZ



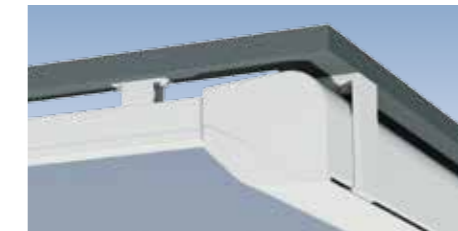
Proven function:
The pull cable mounting



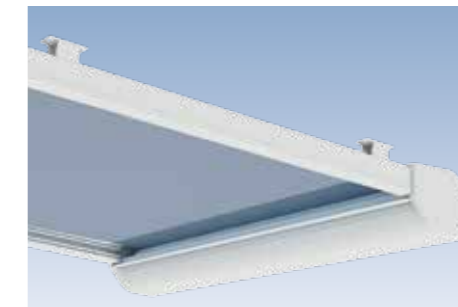
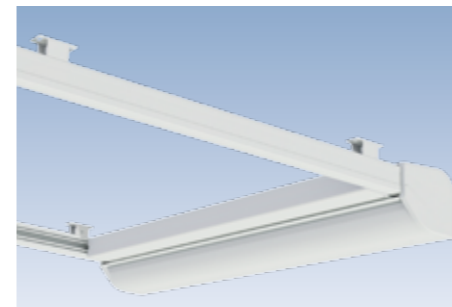
Optimal fabric tension thanks to the torsion spring principle



Side view
Trend 550 | 550 SZ



The cleverly designed guide rail brackets allow for easy installation in conjunction with the "hinge function"



The Trend 200 when retracted and extended



Trend 200 under-roof awning

Effective sun shading is also essential for open glass roofing: The Trend 200 offers the great advantage here that a pleasant textile character is created by installing it "from below" on the covered terrace.

With the Trend 200 under-roof awning, there is almost no gap to the front profile at the end of the guide rails in order to achieve a very good shading effect.

The aluminium front rail provides a harmonious finished look with the awning box and simply presents a beautiful overall appearance with its rectangular design.

The optimised belt mounting makes it very easy for a tradesperson to change the fabric if it is to be replaced at a later date.





The Trend 250 has a larger fabric cassette compared to the Trend 200



This means that versions without (Trend 250) or with side seam guidance (Trend 250 SZ) are possible with a larger projection



Trend 250 | Trend 250 SZ under-roof awning

The Trend 250 impresses with its modern design, proven technology and even larger maximum dimensions than the Trend 200.

It is available as the Trend 205 SZ with a conventional awning curtain as well as with side seam-guided fabric.

The maximum width of 6 m and the maximum projection of 5 m in particular are distinguishing features of this under-roof awning.

The right lighting is also essential – a new optimal solution is now available with the NovaLight LED strips. Integrated into the guide rails of the Trend 250 SZ and operated with the iO radio control, the infinitely dimmable LED light strips ensure a uniform warm white light.

new

The NovaLight LED strips (for the Trend 250 SZ) allow outdoor areas to be optimally used even late into the evening



Nova Hüppe GmbH
awnings. nordic. authentic.

////
nova hüppe
////

Fig. Trend 350 SZ conservatory awning | Q.bus® pergola system



Version without (Trend 350)
or with side seam guidance
(Trend 350 SZ)



Rock solid mounting with sturdy
on-roof brackets and fabric support
with an optional guide tube



Trend 350 | Trend 350 SZ conservatory awning

The Trend 350 conservatory awning is distinguished by its modern box shape and the successful design of all other components. The guide rails and the front profile that are almost flush with the end of the rails form a harmonious design line.

As with the other Trend awnings, the Trend 350 also includes a patented tensioning system with spring tension that is optimally adapted to every fabric size.

When retracted, the tension is only 7 kg and increases up to 25 kg depending on the projection length.

This conservatory awning can also be manufactured with or without the side seam guidance of the awning cloth.



Trend 550



Trend 550 SZ



Optimal protection for the awning fabric



Guide tube for fabric support



Trend 550 conservatory awning |

Precision and first-class workmanship down to the last detail distinguish the Trend 550 conservatory awning from Nova Hütte. This ensures long-lasting functional safety and maximum comfort.

new

Trend 550 SZ

Its high-quality design makes this conservatory awning an exclusive design element for your conservatory.

Thanks to its robust design, the Trend 550 conservatory awning is particularly suitable for larger conservatories and is also available as the Trend 550 SZ with side seam-guided fabric.

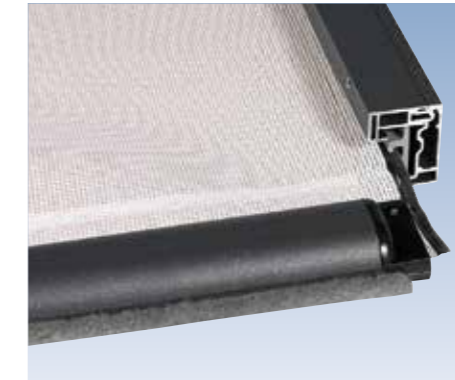
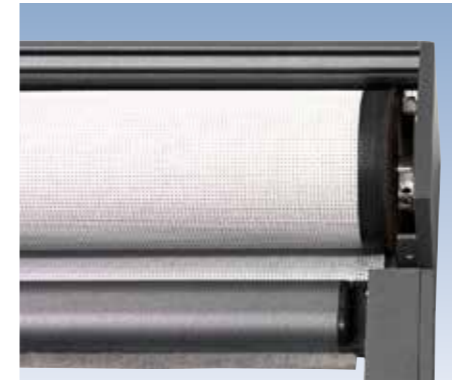




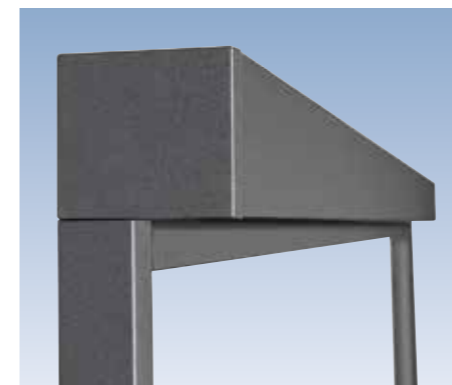
Solaroll SZ11:
110 mm x 110 mm box size



Solaroll SZ9:
90 mm x 90 mm box size



Side hem guidance through the "zipper principle"



The NovaSolar is a standalone photovoltaic-based drive and is available for the Solaroll SZ11 | SE11 and SF11



Solaroll SZ – window awnings

The Solaroll SZ window awnings provide shielding from direct sunlight right in front of the window and effectively protect against dazzling sun. An unrestricted view to the outside still remains depending on the fabric choice.

The Solaroll SZ model is distinguished by the side seam guidance of the fabric curtains: The curtain is guided to the

right and left over the entire height based on the "zipper principle", thus keeping the fabric under tension.

Light from the side is excluded thanks to this special feature in the design and, at the same time, it increases the resistance to stronger gusts of wind.





Nova Hüppe GmbH
awnings. nordic. authentic.

////
nova hüppe
////

Fig. Trend 350 conservatory awning



The Solaroll SE11 | SF11 window awnings have a box size of 110 mm x 110 mm

Solaroll SE11 vertical awning with cable guidance



Solaroll SF11 vertical awning with rail guidance



The Solaroll SE9 | SF9 window awnings have a box size of 90 mm x 90 mm

Solaroll SF9 with rail guidance. Optionally available with cable guidance as the Solaroll SE9 (figure above)



Solaroll window awnings

Narrow or small windows often require inconspicuous sun shading structures – but at the same time, visibility to the outside should still be unrestricted. The Solaroll window awnings have been specially developed for these requirements.

Thanks to their mounting technology, the window awnings are particularly suitable for direct mounting on window frames, but can also be mounted on conservatories or other glass extensions. Side niche mounting is also possible.



Technical data

Max. width 6000 mm
 Max. height (Acrylic) 1500 mm
 Max. height (Twilight) 2000 mm

Not possible in combination with fabric support wires!

The Trend drop down valance can be operated with a winding handle or optionally with a battery-powered electric motor (in the NovaSolar version)



Trend drop down valance

Low sun in the evening can easily be counteracted with the optional drop down valance for the Trend 200 | Trend 250 and Trend 250 SZ under-glass awnings.

The Trend drop down valance enables vertical shading even in situations where a vertical awning cannot be mounted. The extension length with our Twilight fabric recommendation can be up to 200 cm. A removable winding handle ensures easy operation and infinite adjustment of the curtain height.

NovaSolar

The standalone photovoltaic-based drive is a new product development that supplies solar power to both the Trend drop down valance and the Solaroll window awnings and can be ordered as a set. The easy-to-install solution is particularly suitable when there are no power connections.

The pitch of the solar module is optimally adapted to the position of the sun. The control and battery are integrated into the housing so that they are not visible.

Trend conservatory awnings | Solaroll window awnings – product overview

| Type | Variant | Width | | | Projection Height | | | Drive | Colours | Mounting | | | | | | Equipment | | | | | | | | | | | |
|---------------------|---------|-------------------|------|------|----------------------------|------|------|-------|---------|----------------------------|--------------------------------|-------|----------------------|------------------------|--------------------------|--------------------------------|-------------------|----------------------|------|---------|-------|-----------------------|-----------------------|-----------------------|----------------------------|---------------|----------------------------------|
| | | Window and façade | Min. | Max. | Max. when coupled together | Min. | Max. | | | Max. when coupled together | Gear unit incl. winding handle | Motor | RTS / IO radio motor | RAL 9016 Traffic white | RAL 9006 White aluminium | Anthracite texture (colour 61) | Novacolor colours | RAL standard colours | Wall | Ceiling | Floor | Standard rail bracket | Extended rail bracket | Variable rail bracket | Wall / floor cable bracket | Niche bracket | Drop down valance with gear unit |
| Trend 200 | x | | 1380 | 6000 | 10000 | 1500 | 4500 | 4000 | M | S | A | S | S | S | A | A | S | S | - | S | A | - | - | A | A | - | A |
| Trend 250 | x | | 1380 | 6000 | 10000 | 1500 | 5000 | 5000 | - | S | A | S | S | S | A | A | S | S | - | S | A | - | - | A | A | - | A |
| Trend 250 SZ | x | | 1380 | 6000 | 10000 | 1500 | 5000 | 5000 | - | S | A | S | S | S | A | A | S | S | - | S | A | - | - | A | A | A | A |
| Trend 350 | x | | 1380 | 6000 | 10000 | 1500 | 5000 | 5000 | - | S | A | S | S | S | A | A | - | - | - | S | A | - | - | A | - | - | - |
| Trend 350 SZ | x | | 1380 | 6000 | 10000 | 1500 | 5000 | 5000 | - | S | A | S | S | S | A | A | - | - | - | S | A | - | - | A | - | - | - |
| Trend 550 | x | | 1380 | 6500 | 12000 | 1500 | 6500 | 5000 | - | S | A | S | S | S | A | A | - | - | - | S | A | A | - | A | - | - | - |
| Trend 550 SZ | x | | 1380 | 6000 | 12000 | 1500 | 5500 | 5500 | - | S | A | S | S | S | A | A | - | - | - | S | A | A | - | A | - | - | - |
| Solaroll SZ9 | | x | 600 | 3500 | - | 1000 | 2250 | - | - | S | A | S | S | S | A | A | S | S | - | S | - | - | - | - | - | - | - |
| Solaroll SE9 Cable | | x | 600 | 3500 | - | 1000 | 2250 | - | - | S | A | S | S | S | A | A | S | S | S | - | - | - | S | A | - | - | - |
| Solaroll SF9 Rail | | x | 600 | 3500 | - | 1000 | 2250 | - | - | S | A | S | S | S | A | A | S | S | - | S | - | - | - | A | - | - | - |
| Solaroll SZ11 | | x | 800 | 6000 | - | 1000 | 4000 | - | - | S | A | S | S | S | A | A | S | S | - | S | - | - | - | - | - | - | A |
| Solaroll SE11 Cable | | x | 800 | 4000 | - | 1000 | 3000 | - | M | S | A | S | S | S | A | A | S | S | S | - | - | - | S | A | - | - | A |
| Solaroll SF11 Rail | | x | 800 | 4000 | - | 1000 | 3000 | - | M | S | A | S | S | S | A | A | S | S | - | S | - | - | - | A | - | - | A |

Please note that not all size combinations are feasible and size restrictions are possible depending on the fabric quality.

All dimensions in mm | M = Price reduction | S = Standard | A = For a surcharge | - = Not possible

Awning frame colours

Anthracite texture (colour 61) | White aluminium (RAL 9006) | Traffic white (RAL 9016) | Novacolor fine texture (A) | All RAL colours (A)



Nova Hüppe GmbH

Sun shading systems

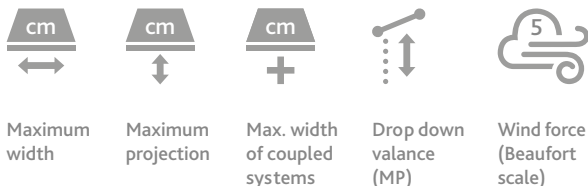
Schmiedeweg 4 + 6
26135 Oldenburg, Germany
Phone +49 441 39036-0
Fax +49 441 39036-36
www.novahueppe.de

 Nova Hüppe on Facebook

 Nova Hüppe on Instagram



Explanation of the pictograms (MP=for a surcharge):



Twilight recommended – use in a vertical direction:
Summer thermal insulation. Anti-glare protection. View to the outside. Dimensionally stable.



Smart home ready – prepared for the Somfy
Tahoma® Switch smart home system

Colour, material and technology are subject to change without notice.